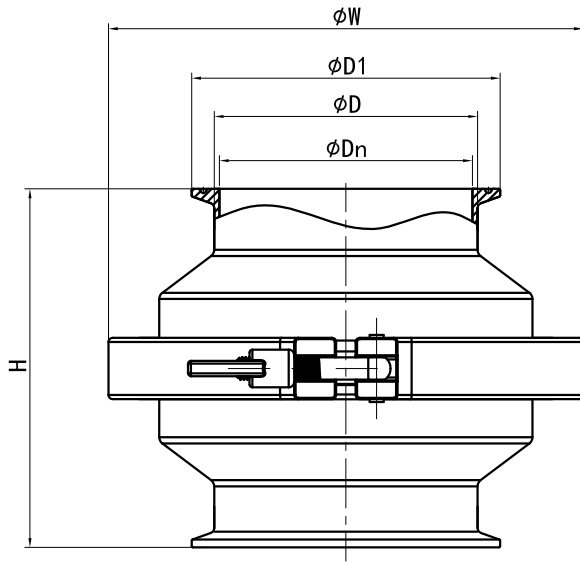


2016款中头卡箍式止回阀(ZHF-ZK系列)-数据图(0.5"-4")


 卡箍式
NO. VZH110A1-2016

INCH

SIZE	D	Dn	D1	W	H
0.5"	19	9.4	25	64	55.8
0.75"	19	15.7	25	64	55.8
1"	25.4	22.1	50.5	75	63.3
1.25"	31.8	28.5	50.5	75	63.3
1.5"	38.1	34.8	50.5	89	90.3
2"	50.8	47.5	64	102	110.3
2.5"	63.5	59.5	77.5	130	130.3
3"	76.2	72.2	91	141	130.3
3.5"	89	85	106	170	130.3
4"	101.6	97.6	119	183	138.3

DIN

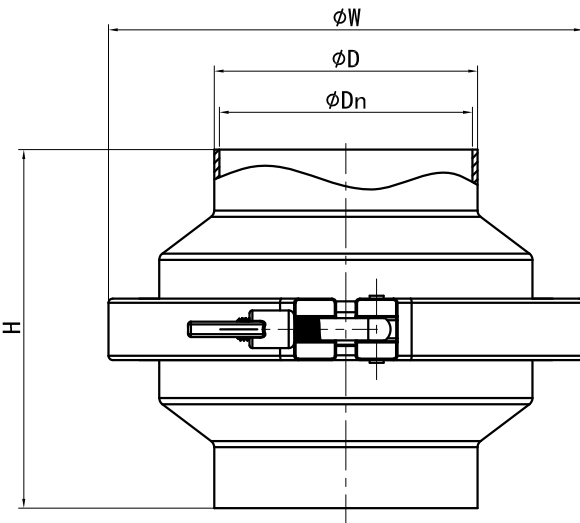
SIZE	D	Dn	D1	W	H
DN10	23	9	34	64	55.8
DN15	19	15	34	64	55.8
DN20	23	19	34	64	55.8
DN25	28	25	50.5	75	63.3
DN32	34	31	50.5	75	63.3
DN40	40	37	50.5	89	90.3
DN50	52	49	64	102	110.3
DN65	70	66	91	130	130.3
DN80	85	81	106	170	130.3
DN100	104	100	119	183	138.3

INCH

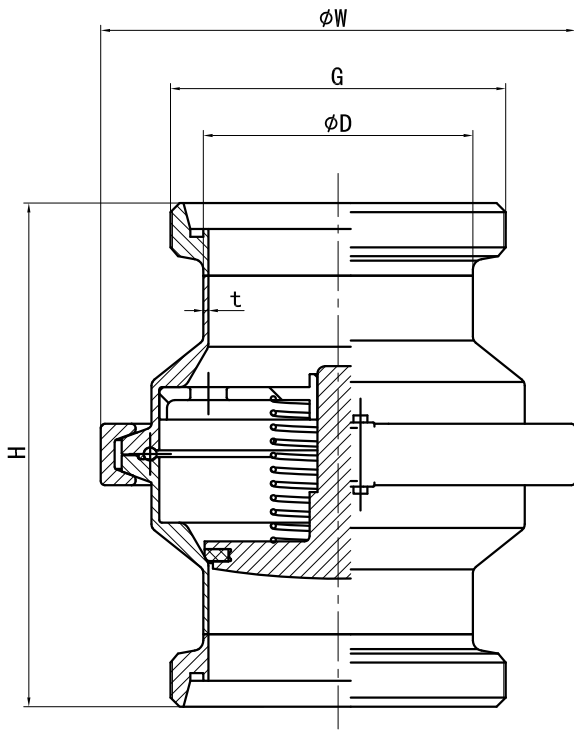
SIZE	D	Dn	W	H
0.5"	12.7	9.4	64	55.8
0.75"	19	15.7	64	55.8
1"	25.4	22.1	75	63.3
1.25"	31.8	28.5	75	63.3
1.5"	38.1	34.8	89	90.3
2"	50.8	47.5	102	110.3
2.5"	63.5	59.5	130	130.3
3"	76.2	72.2	141	130.3
3.5"	89	85	170	130.3
4"	101.6	97.6	183	138.3

DIN

SIZE	D	Dn	W	H
DN10	12	9	64	55.8
DN15	18	15	64	55.8
DN20	22	19	64	55.8
DN25	28	25	75	63.3
DN32	34	31	75	63.3
DN40	40	37	89	90.3
DN50	52	49	102	110.3
DN65	70	66	130	130.3
DN80	85	81	170	130.3
DN100	104	100	183	138.3


 焊接式
NO. VZH100A1-2016

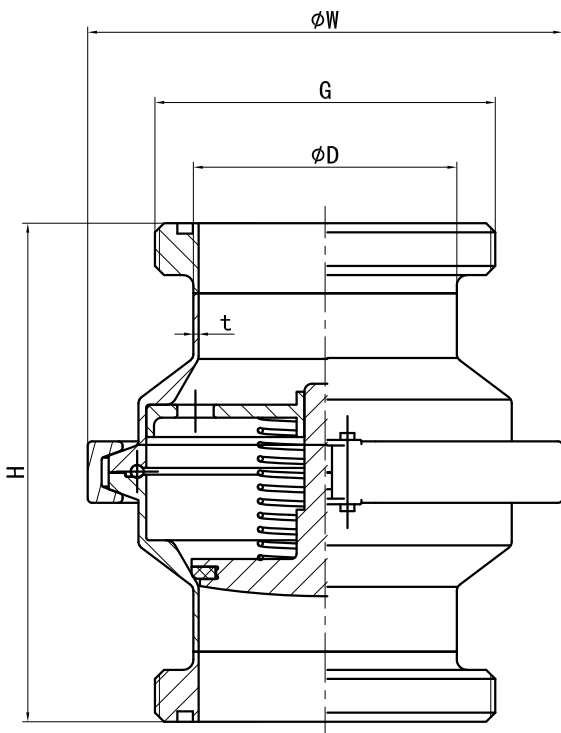
2016款中头卡箍式止回阀(ZHF-ZK系列)-数据图(1"-4")



DIN 螺纹式
NO. DIN-VZH130A1-2016

DIN

SIZE	D	W	H	t	G(Rd)
DN15	18	64	89.8	1.5	33.5x1/8
DN20	22	64	93.8	1.5	43.5x1/6
DN25	28	75	103.3	1.5	51.5x1/6
DN32	34	75	103.3	1.5	57.5x1/6
DN40	40	89	130.3	1.5	64.5x1/6
DN50	52	102	152.3	1.5	77.5x1/6
DN65	70	130	176.3	2	94.5x1/6
DN80	85	170	180.3	2	109.3x1/4
DN100	104	183	194.3	2	129.3x1/4



SMS 螺纹式
NO. SMS-VZH100A1-2016

SMS

SIZE	D	W	H	t	G(Rd)
0.75"	19	64	93.8	1.65	35.5x1/8
1"	25.4	75	101.3	1.65	39.5x1/6
1.25"	31.8	75	99.3	1.65	47.5x1/6
1.5"	38.1	89	90.3	1.65	59.5x1/6
2"	50.8	102	130.3	1.65	69.5x1/6
2.5"	63.5	130	178.3	2	84.5x1/6
3"	76.2	141	180.3	2	97.3x1/6
3.5"	89	170	182.3	2	104.3x1/6
102(小)	101.6	183	192.3	2	124.3x1/4
102(大)	101.6	183	192.3	2	131.3x1/6